

PRINCIPLE OF OPERATION

The LC800-CLS utilizes reed switch/magnet technology. A magnet-equipped float rises or lowers with corresponding liquid level. The magnetic field generated from the float actuates a series of reed switches mounted within a sealed hollow tube. The series of reed switches is combined with resistors to form a voltage divider. The LC800-CLS features a signal conditioner that provides a 4-20 mA output.

Option LC800-CLS Installation Instructions

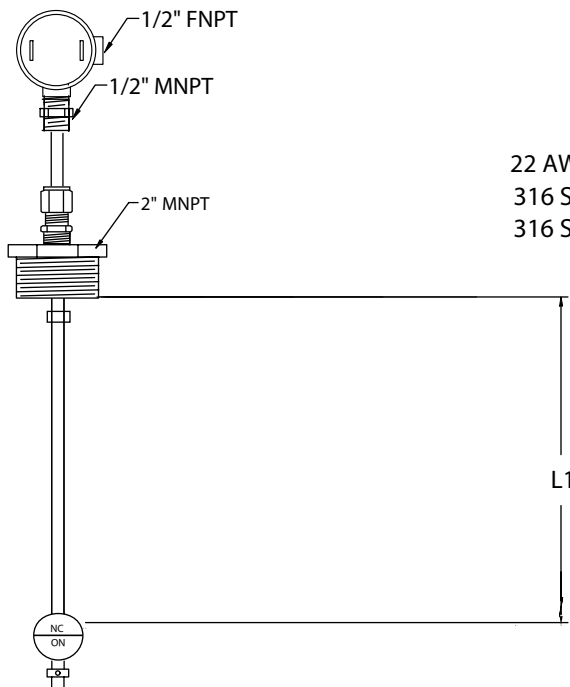
CAUTION: Refer to instructions before operating or servicing switch.
Construction: 316 Stainless Steel stem, 1.5" 316 ss float, 2" NPT bushing.

Electrical Specifications

Input Voltage DC	10 - 30
Output Signal	4-20 mA
Max. Operating Temperature	125°C



Class I Division 1 and 2, Groups A,B,C,D,T5



KEY FEATURES

- Probe Lengths Up to 12'
- 1/4" Resolution